



# Magnet Strips

2FT | 4FT



## PRODUCT DESCRIPTION

The ALPHA MAGNET STRIPS is an energy efficient replacement for existing T12 and T8 strip fixtures and troffers. This kit is designed to distribute uniformed lighting within an aluminum extrusion lighting fixture.

Applications: Office, Healthcare, Commercial, Industrial, Airport, Conference Room, Education, Government, Showroom, Hotel

## PRODUCT SPECIFICATIONS

### OVERVIEW

- ☑ Efficiency greater than 130 LPW
- ☑ Operation Temperature: -20°C to 40°C
- ☑ Power Factor: More than 0.99
- ☑ CCT: 3000K to 5000K
- ☑ CRI: Minimum 80
- ☑ Input Voltage: 100-277 VAC
- ☑ Rated Life: 50,000 hours
- ☑ Beam Angle: 120 Degrees
- ☑ Limited Warranty†: 5 years
- ☑ Input Frequency: 60Hz

### FEATURES

**High Power Magnets for easy install**  
Comes with quick connects

**Aluminum Extrusion Housing**

Product Code	Length (FT)	Wattage	Certificate	Color Temp	Lumens	Multiple Driving Type	Driver
PT-T8MG2 -10W USA	2FT	10W	cUL, UL and DLC® Qualified	3000K-5000K	2600 lm	One driver for 1, 2, 3 or 4 Magnetic Strips	External
PT-T8MG4 -20W USA	4FT	20W	cUL, UL and DLC® Qualified	3000K-5000K	5200lm	One driver for 1, 2, 3 or 4 Magnetic Strips	External



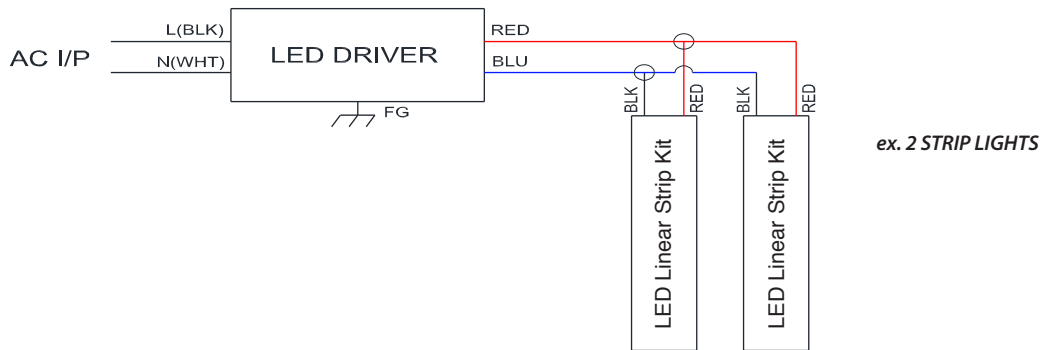
High Power Magnets



# Magnet Strips

## OPTICAL SYSTEM

## ELECTRICAL CONNECTION



## REGULATORY & VOLUNTARY QUALIFICATIONS



**Home of the Patriot Tube**